



Product Manual

AeroVent[®] 1X Aerosol Can Disposal System

10004700



Proudly Made in the USA
newstripe.com • 303-364-7786

4700.0626

AeroVent® 1X Aerosol Can Disposal System

TABLE OF CONTENTS

Precautionary Warnings	Page 1
Assembly	Page 2
Assembly Drawing & Parts List.....	Page 3
Operation	Page 4
Maintenance	Page 5
Safe2Vent Filter Replacement	Page 5
Cobalt Puncture Point Replacement	Page 5
Warranty	Page 6

Thank you for purchasing the AeroVent 1X Aerosol Can Disposal System.

The AeroVent 1X has been designed to puncture and drain aerosol cans that have been used and are mostly empty. It is not intended to continuously process full cans.

Please read over the instructions and make sure you understand the operating procedures before using the unit



AeroVent[®] 1X Aerosol Can Disposal System

Always consult your facility safety manager for particular safety protocols prior to operating this equipment.

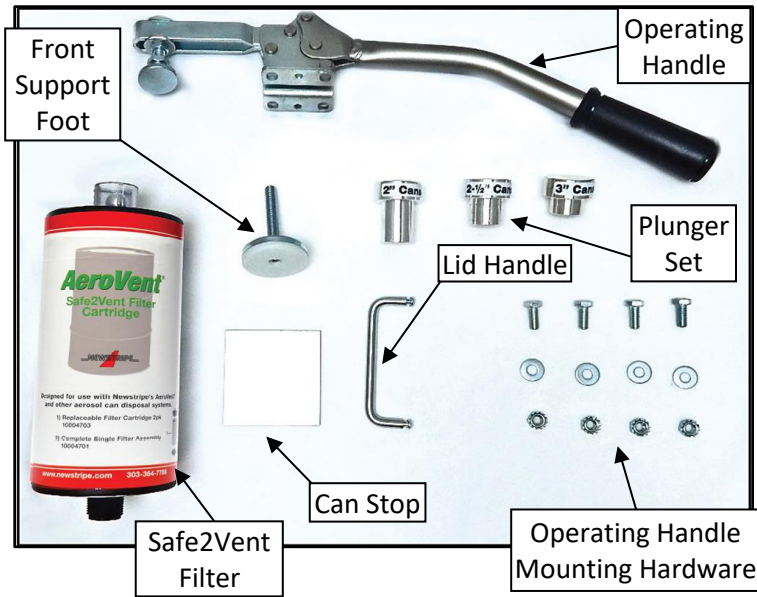
This unit is not intended for use with spray adhesives or expanding foam sealant products.



PRECAUTIONARY WARNINGS

- **PLEASE** read and understand all operation instructions as detailed in this manual. Failure to follow specified instructions may result in equipment damage or severe injury.
- **ALWAYS** refer to the current Product SDS for specific chemical handling and safety instructions prior to deflating aerosol cans.
- **AVOID** static discharge. Ensure that the unit grounding cable is attached to a suitable grounding source.
- **ALWAYS** keep the collection container closed when not in use and kept in a cool, well-ventilated area away from ignition sources.
- **ALWAYS** wear appropriate personal protective equipment and eye protection. Avoid direct contact with aerosol can contents.
- **CAUTION:** Use of filters not specifically designed for the AeroVent Aerosol Can Disposal System may result in dangerous back pressure inside the recovery drum, resulting in equipment damage or serious injury to personnel, including death.
- **ALWAYS** refer to the Product SDS to check compatibility when multiple aerosols are co-mingled in the same collection drum.
- Only operate the unit outdoors or in a well-ventilated area.
- Liquids collected into drums and accompanying vapors may be highly flammable. Keep all waste collection containers away from heat, spark, and flame. No Smoking near the unit or waste collection containers!
- Caustics, Pesticides, Insecticides and White Metals should never be collected into a drum with other liquids and should be segregated into properly labeled, designated containers. Contact your waste handler or Facility Safety Manager for more information.

AeroVent® 1X Aerosol Can Disposal System

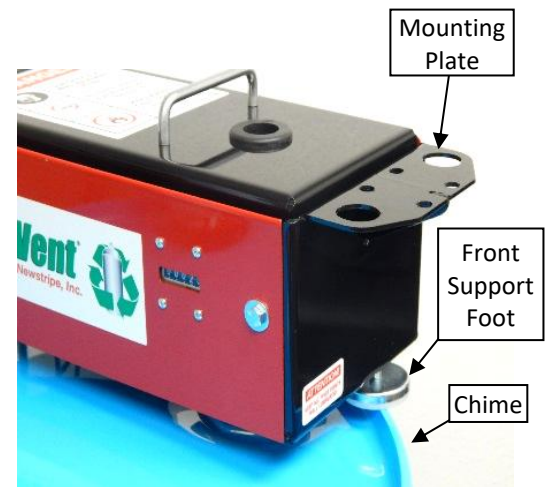


Your Box Should Include These Parts:

- AeroVent with Ground Cable
- Safe2Vent Filter Assembly
- 5/16-18 x 3/4" Bolts (4)
- 1/4" Flat Washers (4)
- 5/16-18 Lock Nuts (4)
- Plunger Set (2", 2.5" & 3")
- Can Stop
- Operating Handle/Clamp Assembly
- Lid Handle
- Support Foot
- Product Manual

ASSEMBLY

1. Install the front support foot in the base of the unit.
2. Remove the 2" bung plug from an empty 30 or 55 gallon recovery drum. Insert the threaded nipple of the AeroVent 1X into the opening and turn the unit until it is hand tight. The rear support foot should be located just inside the rim (chime) of the drum.
3. Adjust the rear support foot clockwise until it is snug to the top of the drum. Then, adjust the front support foot until it is tight to the chime.
4. Open the lid and let it rest against the back stop. Remove the two screws from the lid handle. Position the lid handle on top of the lid and tighten the two screws from the underside of the lid.
5. Place the operating handle/clamp assembly on the mounting plate so that the holes are aligned. Insert one bolt (with washer) through each hole. Install one lock nut onto each bolt, but do not fully tighten. (Pic 1)
6. Place one of the plunger blocks into the hole on the closed lid assembly. Lower the operating handle so that it is centered side-to-side on the plunger block. Tighten all nuts and bolts of the operating handle assembly to the mounting plate at this time. (Pic 2)
7. Install the can stop in the slots at the front of the trough liner.
8. Remove the 3/4" bung plug from the top of the recovery drum and thread the Safe2Vent filter into the 3/4" bung. **Hand-Tighten Only!**
Note: Remove the plastic packaging completely before installing the Safe2Vent Filter.
9. **Install the ground cable with a rear cover bolt of the AeroVent (See #17 in the Assembly drawing). Attach the clamp end of the ground cable to a suitable ground source.**



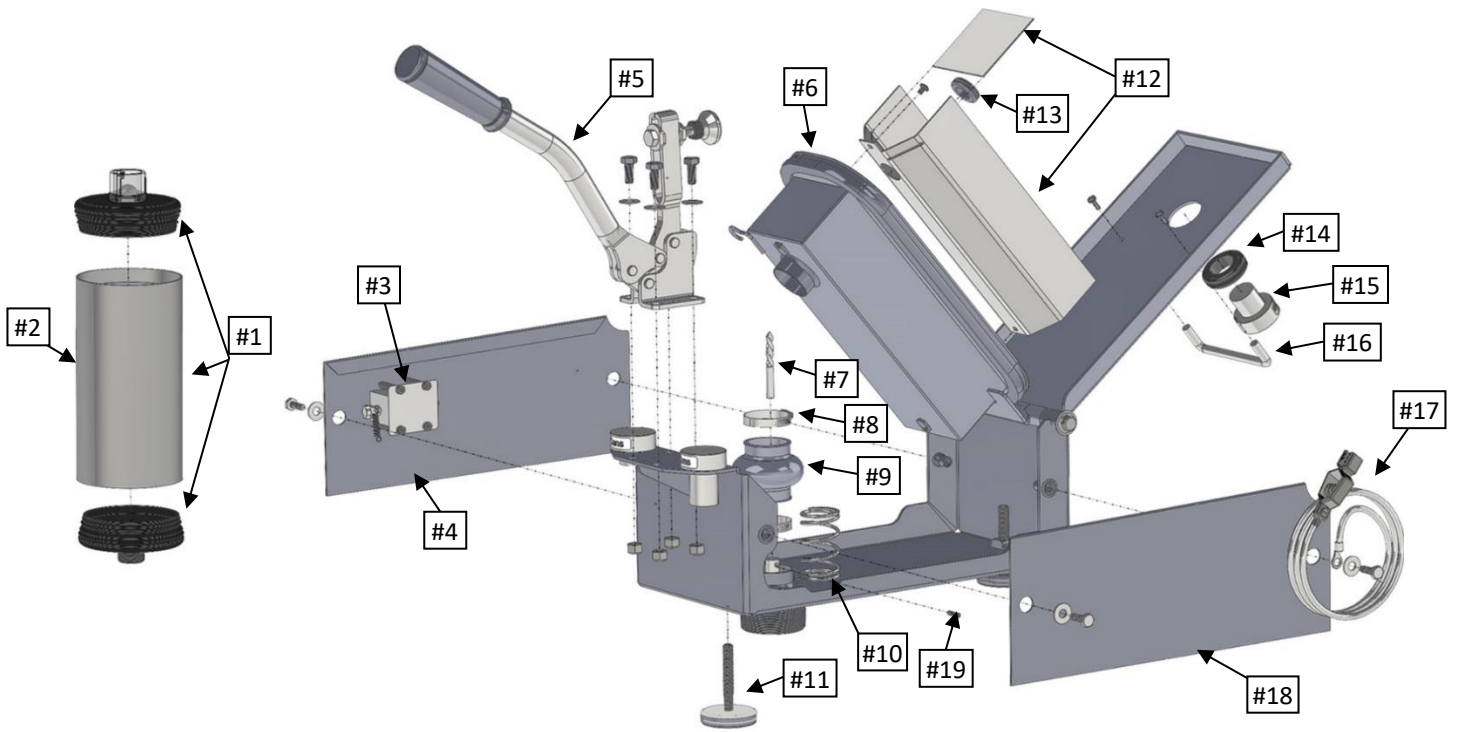
Pic 1



Pic 2

AeroVent[®] 1X Aerosol Can Disposal System

ASSEMBLY DRAWING



PARTS LIST

Item	Description	Part Number
#1	Safe2Vent Filter Assembly	10004701
#2	Safe2Vent Filter (1 Pack)	10004702
#2	Safe2Vent Filter (2 Pack)	10004703
#3	Counter	10004716
#4	Left Shroud	10004729
#5	Operating Handle/Clamp Assy.	10004208
#6	Lid Gasket	10004249
#7	Cobalt Puncture Point w/ Screw	10003994
#8	Bellows Clamp (2 Required)	10003794
#9	Bellows	10003791

Item	Description	Part Number
#10	Trough Spring	10004257
#11	Support Foot (2 required)	10004262
#12	Trough Liner w/can stop	10003970
#13	Trough Liner Grommet (4 Pack)	10002202
#14	Lid Grommet	10002410
#15	Plunger Set (2", 2.5" and 3")	10004248
#16	Lid Handle	10004195
#17	Ground Cable Assembly	10003914
#18	Right Shroud	10004287
#19	10-32 x 3/8" Retaining Screw	10001712

AeroVent® 1X Aerosol Can Disposal System

OPERATION

1. Using the can guide on the side of the unit, select the matching plunger (2", 2.5" or 3")
2. Lift the operating handle to release the clamp and then open the AeroVent 1X lid.
3. The can stop should be in the slots at the front of the trough liner.
4. Apply grease to the lid gasket prior to use, and as needed to ensure a proper seal, to keep the lid from sticking to the gasket.
5. Insert one aerosol can with **the bottom of the can pointing toward the clamp** and up against the can stop.
6. Close the lid. Operate the AeroVent by pushing down on the operating handle. The clamp will then engage the lid and push the lid down.
7. Push the operating handle down until the clamp locks into place in the **Puncture & Drain Position**. The aerosol can has now been punctured. Wait 15-30 seconds to allow the can to drain. You may now lift the handle to release the clamp and open the lid to remove the can.

Note: If aerosol cans are mostly full, leave the handle in the locked position for at least 1 minute to allow the can to drain completely.

WARNING: DO NOT USE WITH EXPANDING FOAM SPRAYS, INSECTICIDES OR STRONG ADHESIVES.



PRECAUTIONARY WARNINGS

- **DO NOT** use the AeroVent 1X for draining expanding foam sealant aerosol products or spray adhesive products.
- **ALWAYS** use the correct plunger block for the diameter of the can that you are draining.
- The clamp must remain locked until the can completely drains.
- To insure that the can is drained, wait 15-30 seconds before unlocking the clamp and opening the lid.
- If a can is full when punctured, wait at least 1 minute before opening the unit. Full cans take longer to empty and may discharge fumes or liquids if the unit is opened too soon.
- We recommend changing the replaceable Safe2Vent Filter every 90 Days or 600 Cans, whichever comes first. If cans contain larger amounts of remaining liquids, change the filter more often. Also, we do not recommend allowing the drum to become more than 70% (2/3) full. An air space is needed in the drum to allow for draining and venting of fumes.

AeroVent® 1X Aerosol Can Disposal System

MAINTENANCE

ITEM	CHECK	REPLACE/SERVICE
Lid Gasket	Before each use	Lubricate the surface of the gasket with grease regularly to keep the lid from sticking to it. Replace as needed if the gasket becomes torn or worn.
Safe2Vent Filter	Monthly	Change every 90 Days or 600 Cans, whichever comes first. Change more often when processing full cans.
Cobalt Puncture Point	Inspect before each use	Replace as needed
Bellow	Inspect every 180 days	Replace as needed
Operating Clamp Assembly	Inspect before each use	Lubricate regularly with light oil. (3-in-1, WD-40, etc.)

SAFE2VENT FILTER REPLACEMENT

1. Remove the filter cap with Viz-a-Ball™ from the filter.
2. Pull the filter off of the filter base.
3. Install the new filter on the filter base.
4. Replace the filter cap with Viz-a-Ball™ by pressing it into the top of the filter.
5. Dispose of the used filter appropriately.
6. To reset the counter, remove the left shroud and carefully disconnect the counter-indexing spring. Rotate the reset knob counterclockwise, reconnect the spring and install the shroud.



COBALT PUNCTURE POINT REPLACEMENT

HELPFUL HINT: Leave the unit mounted on the drum to replace the cobalt point.

1. Open the lid and remove the left and right shrouds. Use caution when removing the left shroud to avoid damaging the counter-indexing spring. Disconnect the spring from the trough hook.
2. Loosen the bottom clamp on the bellows. There is no need to loosen the top bellows clamp unless the bellows is damaged and needs to be replaced.
3. Lift the trough assembly upward and allow it to rest against the lid (the bellows may have to be gently pried off of the lower bellows tube to rotate the assembly up).
4. Remove the retaining screw with a 5/32" hex key and replace the point. Apply blue (removable) 242 Loctite® to the retaining screw, re-install it, and then tighten it against the new point.
5. Re-assemble the unit in the reverse order of the steps above.

AeroVent® 1X Aerosol Can Disposal System

10004700

18 Month Warranty

Newstripe, Inc. ("Newstripe") warrants to the original purchaser, for 18 (Eighteen) Months after date of purchase, that the equipment* hereby sold shall be free of defects in materials and workmanship. This warranty does not extend to any damage or malfunction resulting in misuse, neglect, accident, improper operation, or normal wear and tear.

* Gasoline engines, compressors, low pressure pumps, and transaxles are furnished with their respective manufacturers' warranties only and are not covered by any warranty of Newstripe. High pressure pumps manufactured by Newstripe (excluding wear items like diaphragms and valves) are warranted for materials and workmanship for 12 Months after the date of purchase.

Damage incurred in shipment from Newstripe to the purchaser is the total responsibility of the shipping carrier. The purchaser is responsible for noting any damages on the Bill of Lading of the shipping carrier and Newstripe will work with the shipping carrier to resolve any damages incurred.

The Newstripe obligation under this warranty and any implied warranties is limited to replacement or repair of defective parts of its manufacture without charge for 18 (Eighteen) Months from date of purchase. For service under this warranty, the purchaser shall obtain an approved Return Materials Authorization (RMA) from Newstripe and then ship the defective part or parts of the equipment, transportation prepaid by the purchaser, to Newstripe together with a written description of any claimed defect and proof of purchase date of the materials being returned. To review Newstripe's complete guidelines for warranty claims and returns, please visit our website at www.newstripe.com.

The responsibilities described above are the only responsibilities of Newstripe under this written warranty or any implied warranty and may be exercised only within 18 (Eighteen) Months from the date of original purchase. In no event shall Newstripe be liable for incidental or consequential damages and no person had any authority to bind it to any representation or warranty. Newstripe is not responsible for work done, materials furnished, or repairs made by others without its specific written authorization.

This warranty shall be in lieu of any and all other warranties, expressed or implied, including any warranties of merchantability or fitness for a particular purpose, and there is no other representation or warranty of any kind with respect to the goods sold hereby except as set forth herein. It is expressly agreed that this warranty shall be limited to the adjustment, repair or replacement of parts and the labor and services required thereby. In no event, including any claim of negligence, shall Newstripe be liable for incidental or consequential damages.



newstripe.com • 303-364-7786