



Product Manual

HashMark Master™ 3400 Attachment

For Use With Graco 3400 or S200 High Pressure Airless Striping Machines

10005147



Proudly Made in the USA
Newstripe.com • 303-364-7786

5147.1124

HashMark Master™ 3400 Attachment

TABLE OF CONTENTS

Precautionary Warnings Page 1

Assembly & Adjustment Page 2-3

Hash Mark Standards..... Page 3

Operation Page 4

Stowing Procedure Page 4

Parts List Page 5

Warranty Page 6

Thank you for purchasing the Newstripe HashMark Master™ 3400 Attachment for use with your Graco 3400 or S200 High Pressure Airless Striping Machine.

You may now easily paint football field hash marks without stencils or templates.

Please read over the instructions and make sure you understand the operating procedures before using the unit.



HashMark Master™ 3400 Attachment



PRECAUTIONARY WARNINGS

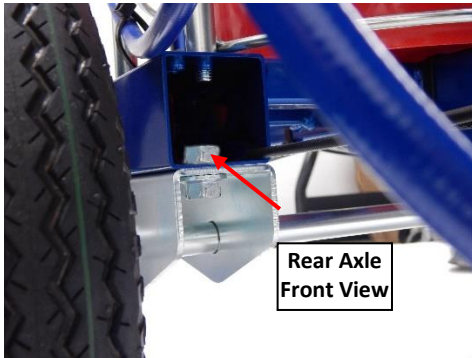
- **PLEASE** read and understand all operation instructions as detailed in this manual. Failure to follow specified instructions may result in equipment damage or severe injury to personnel.
- **CAUTION:** High pressure spray can inject toxins into blood stream. **If an injection occurs, seek emergency medical treatment.** Keep away from high pressure spray.
- **CAUTION:** Never point or discharge the spray gun toward anyone or any part of your body. Gloves and other forms of clothing will not provide protection against injection injury.
- **CAUTION:** The airless system is capable of producing 3000 psi. Use only airless replacement parts rated at 3000 psi or higher.
- **WARNING:** Never try to stop leaks with any part of your body.
- **WARNING:** Never spray without a tip guard in place on the spray gun.
- **WARNING:** Never leave the machine unattended with the system pressurized. When not spraying, always relieve the pressure in the system.
- **ALWAYS** engage the spray gun trigger lock when not spraying.
- **DO NOT** remove the spray tip from the gun while cleaning the pump, or while the system is under pressure.
- **DO NOT** clean the spray tip in the spray gun. Relieve the pressure on the system and then remove the spray tip for cleaning.
- **ALWAYS** relieve the pressure in the system and remove the spray tip from the spray gun before cleaning the tip guard.
- **ALWAYS** consult your Facility Safety and/or Personnel Department for specified safety protocols prior to operating this equipment.
- **NEVER** use solvents containing halogenated hydrocarbons such as methyl bromine, carbon tetrachloride and ethyl iodine.

HashMark Master™ 3400 Attachment

ASSEMBLY & ADJUSTMENT

1. Remove the two rear axle bolts and nuts on the right side of the machine. Discard the nuts and the back rear axle bolt only.

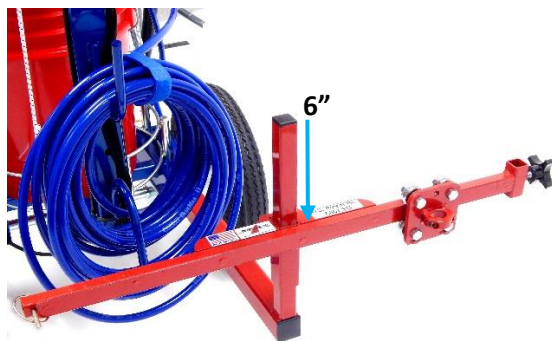
Note: Keep the forward rear axle bolt for reassembly.



2. Slide the riser into the right side of the frame, and then install the saved forward rear axle bolt into the welded nut in the riser. Slide one ½" lock washer, followed by one ½" flat washer onto a ½-13 x 2 ½" Bolt. Install the bolt with washers into the back rear axle hole and thread it into the nut welded on the riser. Fully tighten both bolts.



3. Slide the rail down onto the riser until about 6" of the riser post shows above the rail receiver. Tighten the two pinch bolts in the rail receiver to secure the rail to the riser.



4. Install the gun mount assembly into the collar carriage using the provided hex wrench. Tighten the screws just enough to hold it in place.



5. Install the downtube in the receiver at the right side of the rail. The plate on the bottom of the downtube should have the bolt hole toward the front of the machine. Adjust the down tube so that the plate is about 4" off the ground and then tighten the star knob.

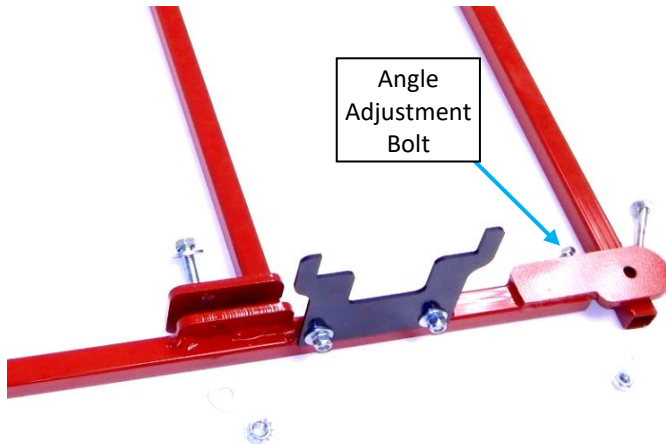


HashMark Master™ 3400 Attachment

ASSEMBLY & ADJUSTMENT CONTINUED

6. Mount the front guide tube to the bottom of the down tube, with the plastic guide and the pivot joint to the rear as shown. Align the guide tube and down tube plates, then secure them with one $\frac{3}{8}$ " x $1\frac{1}{4}$ " bolt, two flat washers and one $\frac{3}{8}$ " lock nut. Lightly tighten the bolt at this time so you may align the three guides with an existing line or string later. Mount the rear guide tube to the pivot on the rear of the front guide tube with one $\frac{1}{4}$ " x $1\frac{1}{2}$ " bolt, two washers and a $\frac{1}{4}$ " lock nut.

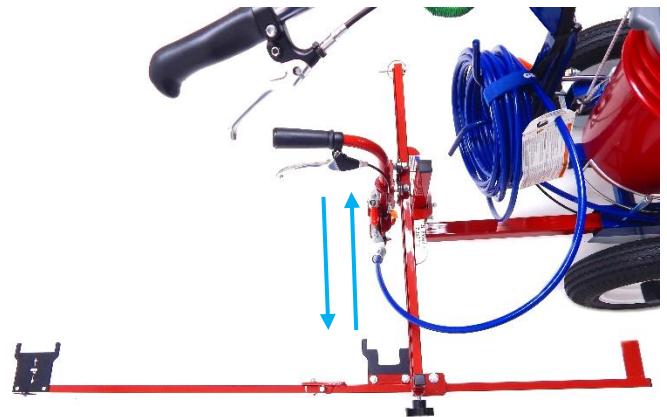
Note: The angle adjustment bolt with the jam nut at the top of the pivot allows you to adjust the upward angle of the rear guide tube so that it will ride above the turf. This is especially helpful if you have uneven field conditions or need to tip the machine back.



7. Remove the spray gun from the gun mount of the machine and place it in the gun mount of the HashMark Master. Secure it in the gun mount with the gun mount clamp.



8. Roll the carriage back and forth on the rail to make sure that there is no interference with the paint hose. Open the strap holding the coiled paint hose and adjust it if necessary.



HASH MARK STANDARDS

Hash marks for professional and college football fields are located 4" in from the sidelines and are 24" in length. Many high schools are now following the NCAA standards. However, some schools still have hash marks that touch the sidelines. Follow your league recommendations for field layout.

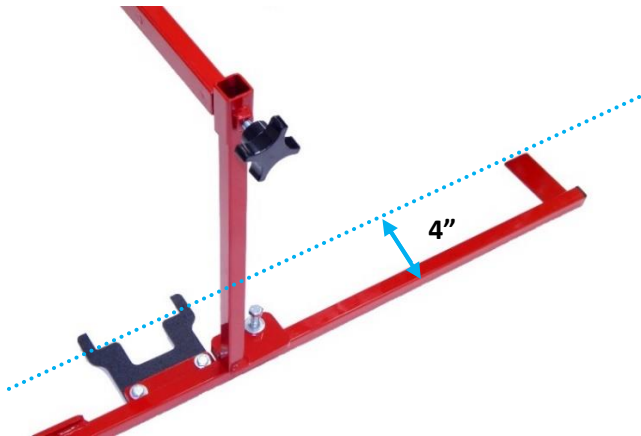
HashMark Master™ 3400 Attachment

OPERATION

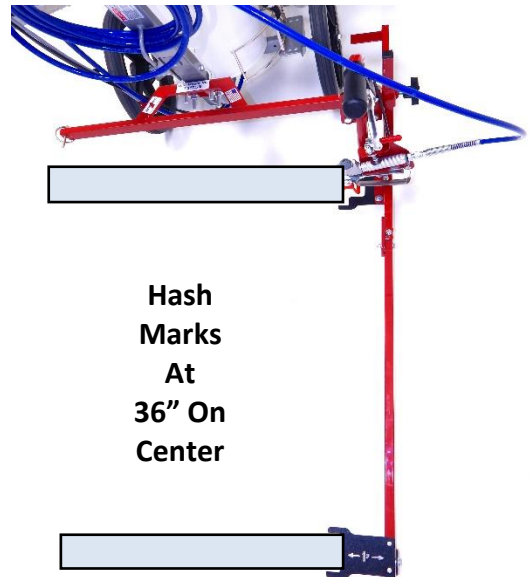
1. Loosen the screws on the carrier and then raise or lower the gun mount assembly until a 4" wide line is made, when you spray.



2. Unfold the line guide. For a 4" inset, align the outside edge of the line guide with the sideline.



3. Position the machine with the cutout of the rear line guide plate centered over the goal line, and the center of the spray gun tip at the left edge of the cutout of the center line guide plate. In a continuous motion, squeeze the spray lever and roll the carriage along the rail until it contacts the lynchpin stop. This results in a 24" hash mark line. Move the machine forward so the rear guide is centered over the hash mark you just painted, and with the left edge aligned with the start of that hash mark. Paint the next hash mark as above, and then continue to the next in the same manner. This will create hash marks 36" apart on center.



STOWING PROCEDURE

1. Remove the spray gun from the HashMark Master and place it back in the gun mount of the machine. Remove the lynchpin. Roll the carriage and gun mount assembly off of the rail. Rotate the carriage and gun mount assembly 90 degrees, and then roll it back onto the rail. Install the lynchpin through the rail and into the hole in the carriage plate as shown.



2. Rotate the rear line guide tube upward and allow it to rest against the front line guide tube, and out of the way as shown.

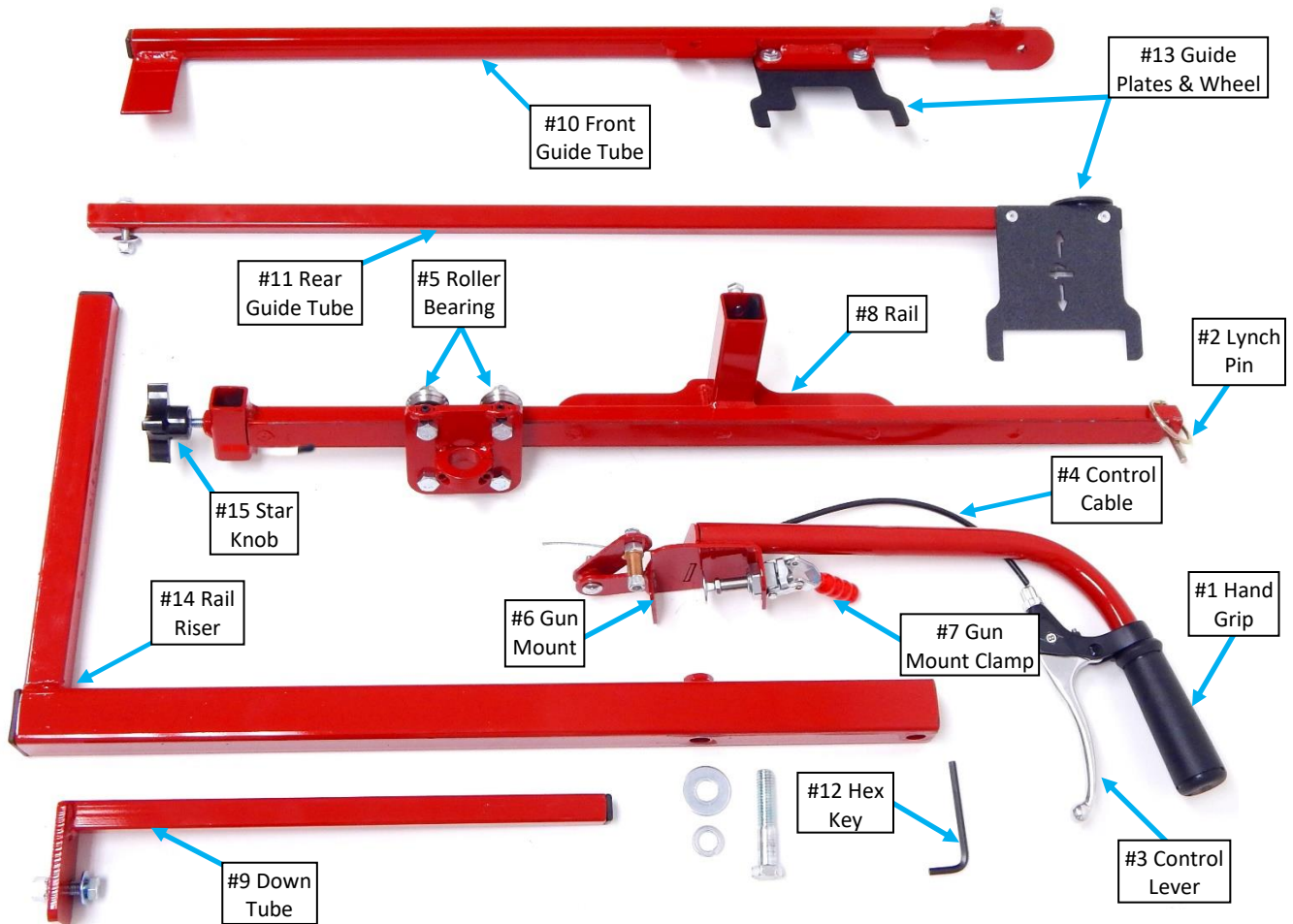


HashMark Master™ 3400 Attachment

PARTS LIST

Item	Description	Part Number
#1	Hand Grip	10004281
#2	1/4" x 2-1/8" Lynchpin	10004805
#3	Spray Control Lever	10002951
#4	Spray Control Cable	10002358
#5	Roller Bearing (4 Required)	10004802
#6	Gun Mount (No Parts Included)	10005146
#7	Gun Mount Clamp	10005152
#8	Rail	10005141

Item	Description	Part Number
#9	Down Tube	10004993
#10	Front Guide Tube	10004994
#11	Rear Guide Tube	10004995
#12	3/16" Hex Key	10000889
#13	Guide Plates & Wheel Set	10004797
#14	Rail Riser	10005145
#15	Star Knob	10000007



HashMark Master™ 3400 Attachment

10005147

18 Month Warranty

Newstripe, Inc. ("Newstripe") warrants to the original purchaser, for 18 (Eighteen) Months after date of purchase, that the equipment* hereby sold shall be free of defects in materials and workmanship. This warranty does not extend to any damage or malfunction resulting in misuse, neglect, accident, improper operation, or normal wear and tear.

* Gasoline engines, compressors, low pressure pumps, and transaxles are furnished with their respective manufacturers' warranties only and are not covered by any warranty of Newstripe. High pressure pumps manufactured by Newstripe (excluding wear items like diaphragms and valves) are warranted for materials and workmanship for 12 Months after the date of purchase.

Damage incurred in shipment from Newstripe to the purchaser is the total responsibility of the shipping carrier. The purchaser is responsible for noting any damages on the Bill of Lading of the shipping carrier and Newstripe will work with the shipping carrier to resolve any damages incurred.

The Newstripe obligation under this warranty and any implied warranties is limited to replacement or repair of defective parts of its manufacture without charge for 18 (Eighteen) Months from date of purchase. For service under this warranty, the purchaser shall obtain an approved Return Materials Authorization (RMA) from Newstripe and then ship the defective part or parts of the equipment, transportation prepaid by the purchaser, to Newstripe together with a written description of any claimed defect and proof of purchase date of the materials being returned. To review Newstripe's complete guidelines for warranty claims and returns, please visit our website at www.newstripe.com.

The responsibilities described above are the only responsibilities of Newstripe under this written warranty or any implied warranty and may be exercised only within 18 (Eighteen) Months from the date of original purchase. In no event shall Newstripe be liable for incidental or consequential damages and no person had any authority to bind it to any representation or warranty. Newstripe is not responsible for work done, materials furnished, or repairs made by others without its specific written authorization.

This warranty shall be in lieu of any and all other warranties, expressed or implied, including any warranties of merchantability or fitness for a particular purpose, and there is no other representation or warranty of any kind with respect to the goods sold hereby except as set forth herein. It is expressly agreed that this warranty shall be limited to the adjustment, repair or replacement of parts and the labor and services required thereby. In no event, including any claim of negligence, shall Newstripe be liable for incidental or consequential damages.



Newstripe.com / 303-364-7786