



Product Manual

AeroVent[®] 3X Aerosol Can Disposal System

10004721



Proudly Made in the USA
newstripe.com • 303-364-7786

4721.0426

This Page Left Intentionally Blank

AeroVent® 3X Aerosol Can Disposal System

TABLE OF CONTENTS

Precautionary Warnings	Page 1
Assembly	Page 2
Assembly Drawing	Page 3
Parts List	Page 3
Operation	Page 4
Maintenance	Page 5
Cobalt Puncture Point Replacement....	Page 6
Safe2Vent Filter Replacement	Page 6
Warranty	Page 7

Thank you for purchasing the AeroVent 3X Aerosol Can Disposal System.

The AeroVent 3X has been designed to puncture and drain aerosol cans that have been used and are mostly empty. It is not intended to continuously process full cans. If full cans are processed, they must be punctured one at a time and in the center position only!

Please read over the instructions and make sure you understand the operating procedures before using the unit.



AeroVent[®] 3X Aerosol Can Disposal System

Always consult your facility safety manager for particular safety protocols prior to operating this equipment.

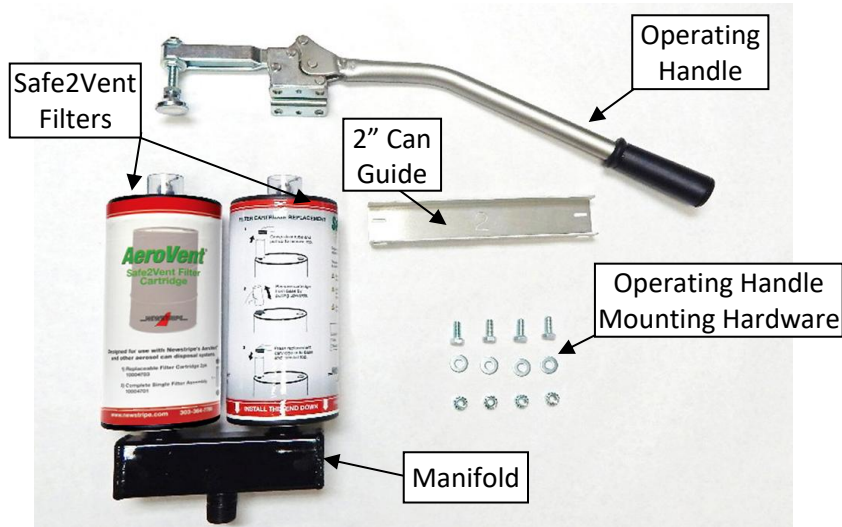
This unit is not intended for use with spray adhesives or expanding foam sealant products.



PRECAUTIONARY WARNINGS

- **PLEASE** read and understand all operation instructions as detailed in this manual. Failure to follow specified instructions may result in equipment damage or severe injury.
- **ALWAYS** refer to the current Product SDS for specific chemical handling and safety instructions prior to deflating aerosol cans.
- **AVOID** static discharge. Ensure that the unit grounding cable is attached to a suitable grounding source.
- **ALWAYS** keep the collection container closed when not in use and kept in a cool, well-ventilated area away from ignition sources.
- **ALWAYS** wear appropriate personal protective equipment and eye protection. Avoid direct contact with aerosol can contents.
- **CAUTION:** Use of filters not specifically designed for the AeroVent Aerosol Can Disposal System may result in dangerous back pressure inside the recovery drum, resulting in equipment damage or serious injury to personnel, including death.
- **ALWAYS** refer to the Product SDS to check compatibility when multiple aerosols are co-mingled in the same collection drum.
- Only operate the unit outdoors or in a well-ventilated area.
- Liquids collected into drums and accompanying vapors may be highly flammable. Keep all waste collection containers away from heat, spark, and flame. No Smoking near the unit or waste collection containers!
- Caustics, Pesticides, Insecticides and White Metals should never be collected into a drum with other liquids and should be segregated into properly labeled, designated containers. Contact your waste handler or Facility Safety Manager for more information.

AeroVent® 3X Aerosol Can Disposal System



Your Box should include these parts:

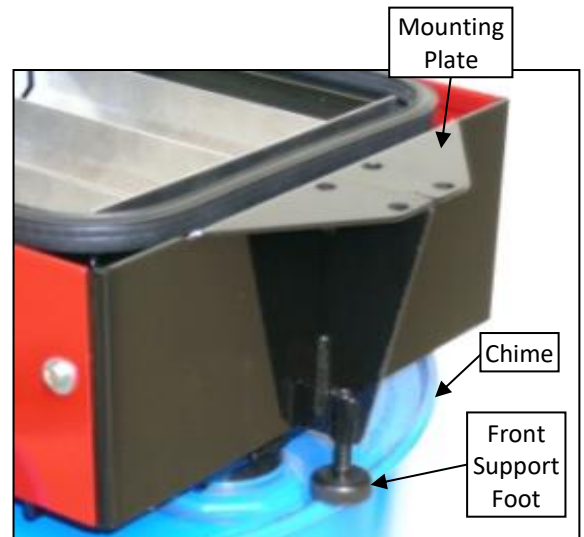
- AeroVent 3X with Ground Cable
- Safe2Vent Dual Filters with Manifold
- 5/16-18 x 3/4" Bolts (4)
- 1/4" Flat Washers (4)
- 5/16-18 Lock Nuts (4)
- 2" Can Guide
- Operating Handle/Clamp Assembly
- Product Manual

ASSEMBLY

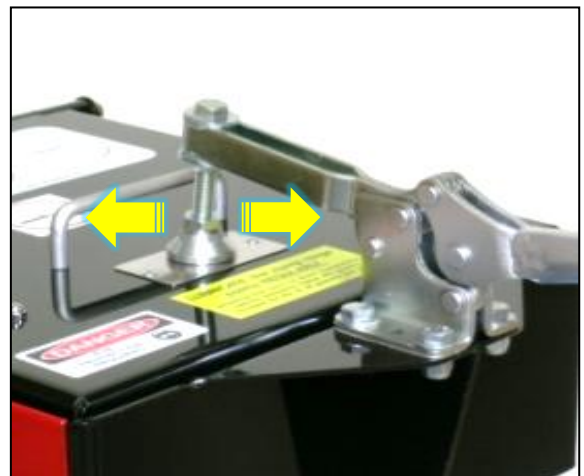
1. Remove the 2" bung plug from an empty 30 or 55 gallon recovery drum. Insert the threaded nipple of the AeroVent 3X into the opening and turn the unit until it is hand tight. Center the unit over the drum.
2. Adjust the rear support feet clockwise until they are snug to the top of the drum. Then, adjust the front support foot until it is tight to the rim (chime) of the drum.
3. Place the operating handle on the mounting plate so that the holes are aligned. Insert one bolt (with washer) through each hole. Install one lock nut onto each bolt, but do not fully tighten. (Pic 1)
4. Lower the operating handle so that the swivel foot is centered side-to-side on the lid striker plate. Tighten all nuts and bolts to secure the operating handle/clamp assembly to the mounting plate. (Pic 2)
5. Remove the 3/4" bung plug from the top of the recovery drum. Thread the Safe2Vent Dual Filter with Manifold into the 3/4" bung of the drum. **Hand-Tighten Only!**

Note: Lift the top and remove the plastic wrapping before using the Safe2Vent Filter.

6. **Install the ground cable with a rear cover bolt of the AeroVent (See #13 in the assembly drawing and the photos in the Maintenance section). Attach the clamp end of the ground cable to a suitable ground source.**



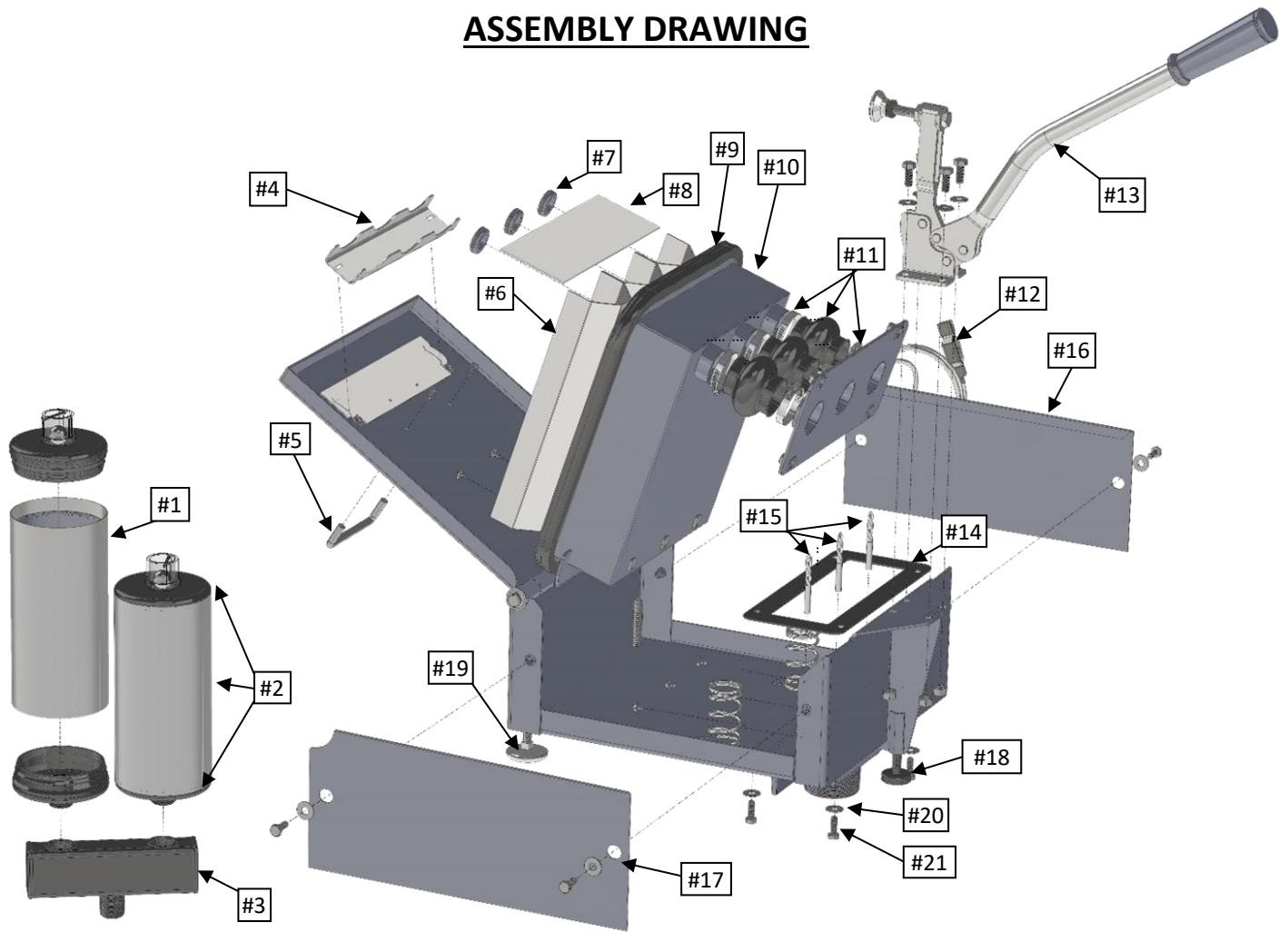
Pic 1



Pic 2

AeroVent® 3X Aerosol Can Disposal System

ASSEMBLY DRAWING



PARTS LIST

Item	Description	Part Number
#1	Safe2Vent Filter (2 Pack)	10004703
#2	Safe2Vent Filter Assembly	10004701
#3	Manifold	10004709
#4	Can Guide 2" Can Guide 2.6"	10004331 10004332
#5	Lid Handle	10004195
#6	Trough Liner (3 Required)	10004297
#7	Trough Liner Grommet (4 Pack)	10002202
#8	Front Panel	10004298
#9	Lid Gasket	10004343
#10	Trough	10004339
#11	Bellows With Clamps (3 Pack)	10000987

Item	Description	Part Number
#12	Ground Cable Assembly	10003914
#13	Operating Handle/Clamp Assembly	10003909
#14	Flange Gasket	10004344
#15	¼" AeroVent Cobalt Points With Screws (3 Pack)	10004025
#16	Right Shroud	10004287
#17	Left Shroud	10004286
#18	Front Support Foot	10004306
#19	Rear Support Foot (2 Required)	10004305
#20	Flange Bolts (4 Required)	10000060
#21	Flange Washers (4 Required)	10000063

AeroVent® 3X Aerosol Can Disposal System

OPERATION

1. Lift the operating handle to release the clamp and open the AeroVent 3X lid.
2. Ensure that the front panel is in place in front of the trough liners.
3. Using the guide on the side of the unit, select the corresponding can guide for the size of the can being punctured. Slide the can guide onto the retainer clips located on the underside of the AeroVent 3X lid until it locks into place. Remove the can guide completely when draining 3" diameter cans.

NOTE: Use of the wrong can guide will result in aerosol cans not puncturing correctly and improper sealing of the lid, which will result in the leakage of can contents and vapors during draining.

4. Insert aerosol cans with **the bottom of the can pointing toward the clamp**, and up against the front panel in the trough.

NOTE: When processing less than three cans, insert single cans into the center trough liner or insert two cans into the outside two trough liners. **While processing multiple cans simultaneously, only puncture aerosol cans of the same diameter or cans may not puncture correctly, and improper sealing of the lid will occur.**

5. Close the lid. Push down on the operating handle to clamp the lid down and engage the puncturing mechanism.
6. The aerosol cans have now been punctured and are draining. Wait 15-30 seconds and confirm that the Viz-a-Ball indicator has stopped moving to ensure that the cans are completely drained. You may now lift the handle and open the lid to remove the cans.

Note: If aerosol cans are mostly full, leave the handle in the locked position for 45-60 seconds to allow the cans to drain completely. Keep the lid gasket lubricated with grease for a better seal, and to keep it from sticking to the lid.

Caution: Full cans must be punctured one at a time and in the center position only!

PROPER CAN GUIDE INSTALLATION



Caution: To ensure proper operation, please make sure that the appropriate can guide is installed and fully seated as shown above. If the guide is not fully seated, the unit will not operate properly during the puncture and drain procedure.

AeroVent® 3X Aerosol Can Disposal System



PRECAUTIONARY WARNINGS

- **DO NOT** use the AeroVent 3X for draining expanding foam sealant aerosol products or spray adhesive products.
- **ALWAYS** use the correct can guide for the diameter of the cans that you are draining.
- The clamp must remain locked until the cans completely drain.
- To insure that the cans are drained, wait 15-30 seconds before unlocking the clamp and opening the lid.
- If any of the cans are full when punctured, wait at least 1 minute before opening the unit. Full cans take longer to empty and may discharge fumes or liquids if the unit is opened too soon.
- We recommend changing the replaceable Safe2Vent Filters every 90 Days or 600 Cans, whichever comes first. If cans contain larger amounts of remaining liquids, change the filter more often. Also, we do not recommend allowing the drum to become more than 70% (2/3) full. An air space is needed in the drum to allow for draining and venting of fumes.

MAINTENANCE

ITEM	CHECK	REPLACE/SERVICE
Lid Gasket	Before each use	Lubricate the surface of the gasket with grease regularly to keep the lid from sticking to it. Replace as needed if the gasket becomes torn or worn.
Safe2Vent Filters (2)	Monthly	Change every 90 Days or 600 Cans, whichever comes first. Change more often when processing full cans.
Cobalt Puncture Points (3)	Inspect before each use	Replace as needed
Bellows (3)	Inspect every 180 days	Replace as needed
Trough Grommets (3)	Inspect before each use	Replace as needed
Operating Clamp Assembly	Inspect before each use	Lubricate regularly with light oil (3-in-1, WD-40, etc.)

AeroVent® 3X Aerosol Can Disposal System

COBALT PUNCTURE POINT REPLACEMENT

(See Assembly Drawing on Page 3)

HELPFUL HINT: Leave the unit mounted on the drum to replace the cobalt points.

1. Open the lid and remove the left and right shrouds including the grounding cable.
2. Remove the four bolts that secure the bellows flange to the base from underneath the unit. There is no need to loosen any of the bellows clamps unless the bellows are damaged and need to be replaced.
3. Rotate the trough assembly with the bellows flange and bellows, upward and allow it to rest against the lid.

NOTE: The bellows flange may have to be **gently** pried off of the flange gasket to rotate the assembly up.

4. Loosen the three setscrew bolts with a 5/16" wrench and then replace the three points. Tighten the setscrew bolts against the new points.
5. Re-assemble the unit in the reverse order of the steps above.

NOTE: Do not forget to reinstall the grounding cable.

SAFE2VENT FILTER REPLACEMENT

1. Remove the filter cap with Viz-a-Ball™ from the filter.
2. Lift off the filter from the filter base.
3. Press the new filter onto the filter base.
4. Replace the filter cap with Viz-a-Ball™ by pressing it into the top of the element.
5. Repeat the steps above for each filter in the Dual Filter Assembly.
6. Dispose of the used filters appropriately.



AeroVent® 3X Aerosol Can Disposal System

10004721

18 Month Warranty

Newstripe, Inc. ("Newstripe") warrants to the original purchaser, for 18 (Eighteen) Months after date of purchase, that the equipment* hereby sold shall be free of defects in materials and workmanship. This warranty does not extend to any damage or malfunction resulting in misuse, neglect, accident, improper operation, or normal wear and tear.

* Gasoline engines, compressors, low pressure pumps, and transaxles are furnished with their respective manufacturers' warranties only and are not covered by any warranty of Newstripe. High pressure pumps manufactured by Newstripe (excluding wear items like diaphragms and valves) are warranted for materials and workmanship for 12 Months after the date of purchase.

Damage incurred in shipment from Newstripe to the purchaser is the total responsibility of the shipping carrier. The purchaser is responsible for noting any damages on the Bill of Lading of the shipping carrier and Newstripe will work with the shipping carrier to resolve any damages incurred.

The Newstripe obligation under this warranty and any implied warranties is limited to replacement or repair of defective parts of its manufacture without charge for 18 (Eighteen) Months from date of purchase. For service under this warranty, the purchaser shall obtain an approved Return Materials Authorization (RMA) from Newstripe and then ship the defective part or parts of the equipment, transportation prepaid by the purchaser, to Newstripe together with a written description of any claimed defect and proof of purchase date of the materials being returned. To review Newstripe's complete guidelines for warranty claims and returns, please visit our website at www.newstripe.com.

The responsibilities described above are the only responsibilities of Newstripe under this written warranty or any implied warranty and may be exercised only within 18 (Eighteen) Months from the date of original purchase. In no event shall Newstripe be liable for incidental or consequential damages and no person had any authority to bind it to any representation or warranty. Newstripe is not responsible for work done, materials furnished, or repairs made by others without its specific written authorization.

This warranty shall be in lieu of any and all other warranties, expressed or implied, including any warranties of merchantability or fitness for a particular purpose, and there is no other representation or warranty of any kind with respect to the goods sold hereby except as set forth herein. It is expressly agreed that this warranty shall be limited to the adjustment, repair or replacement of parts and the labor and services required thereby. In no event, including any claim of negligence, shall Newstripe be liable for incidental or consequential damages.



newstripe.com • 303-364-7786

This Page Left Intentionally Blank