

# NewLiner™ HD Dry Line Marker Product Manual



1700 Jasper St., Unit F, Aurora, CO 80011 T 800.624.6706 F 303.364.7796 • [Newstripe.com](http://Newstripe.com)  
50lb & 100lb Dry Line Markers / 1744-1745.1117



# NewLiner™HD 50lb & 100lb Heavy Duty 4 Wheel Dry Line Marker

## Your shipping carton should have:

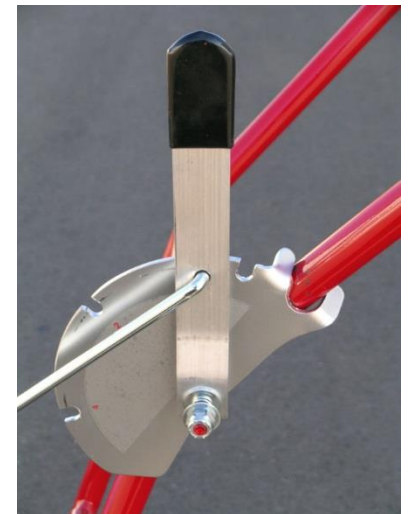
(1) Handle	<u>Parts Bag Containing:</u>
(1) Bucket & Frame Assembly	(4) 5/16" x 1-1/2" bolts
(1) Gate Control Rod and Lever	(4) 5/16" Nylock nuts
(2) Handle Support Plates	(2) 5/16" Flat Washer
(1) Notched Index Plate	(4) 1/4" x 3/4" Bolts
(1) Spring	(9) 1/4" Flat Washers
(2) 1/4" Flat Washers	(4) 1/4" Nylock Nuts
(3) 5/16" Nylock Nuts	(1) Cotter Pin

**Tools Required: (2) 1/2" Wrenches, (1) Pliers**



## **ASSEMBLY:**

1. Remove the unit from the box and place it on a flat surface.  
Note: The axles should be on the underside of the frame. If they are not, lift the frame and swing the bucket around to the other side. The handle/bucket support should be facing the end of the frame with the cutouts for the handle assembly.
2. Lay the handle assembly behind the unit with the foam grips down and the bottom of the handle towards the unit.
3. Mount operating lever and notched plate to handle assembly. (Pic 1.)
4. Attach the handle to the rear of the frame using two bolts and Nylock nuts. Do not tighten the nuts fully at this time.
5. Rotate the handle upward so the upper holes in the handle align with the holes in the handle/bucket support braces.
6. Attach the gate control rod to the powder gate using one 1/4" flat washer and cotter pin. Control lever should be above the handle.



## **OPERATION:**

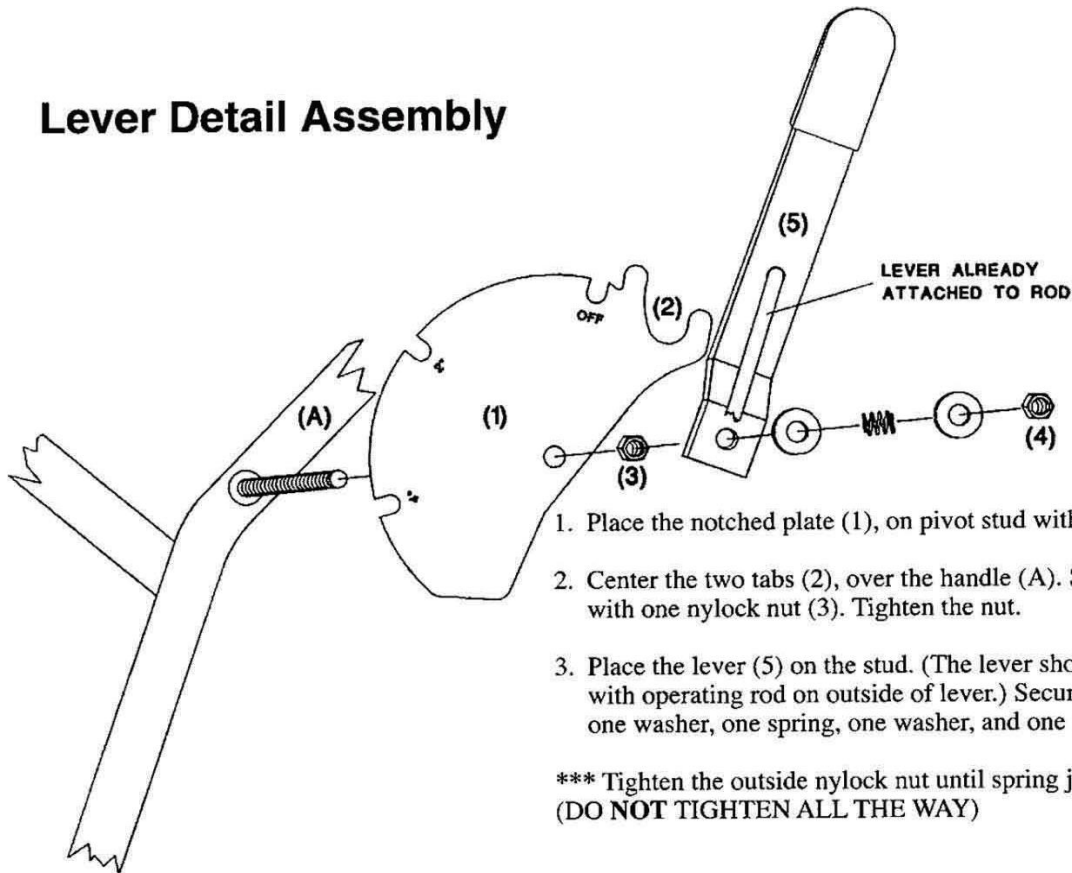
1. Place powder gate control lever in OFF position. (Pull out on operating lever to move between notches.)
2. Fill the Dry Liner with any type dry-line marking material. NOTE: Make sure marking material is kept dry.
3. Position Dry Liner over line to be marked.
4. Select line width by moving powder gate control lever to the 2" or 4" position.
5. Begin walking. Material will feed from the bottom center of the box as you walk until the box is empty or the control lever is moved to the CLOSED position.
6. Rinse box after each use with water. Allow to air dry.



1700 Jasper St., Unit F, Aurora, CO 80011 T 800.624.6706 F 303.364.7796 • Newstripe.com  
50lb & 100lb Dry Line Markers / 1744-1745.1117

# NewLiner™HD 50lb & 100lb Heavy Duty 4 Wheel Dry Line Marker

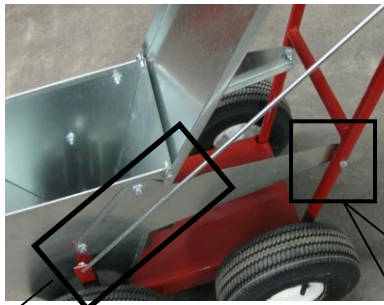
## Lever Detail Assembly



1. Place the notched plate (1), on pivot stud with the lettering facing outward.
2. Center the two tabs (2), over the handle (A). Secure the plate on the stud with one nylock nut (3). Tighten the nut.
3. Place the lever (5) on the stud. (The lever should bend in towards the plate with operating rod on outside of lever.) Secure the lever on the stud with one washer, one spring, one washer, and one nylock nut. (4)

\*\*\* Tighten the outside nylock nut until spring just begins to compress. (DO NOT TIGHTEN ALL THE WAY)

Insert large end of handle support (triangle piece, long side down) to the bucket with bolts, washers and nuts.



Tab end of handle supports goes on inside of the handle on the 50 lb. (Washer against the support, see picture)



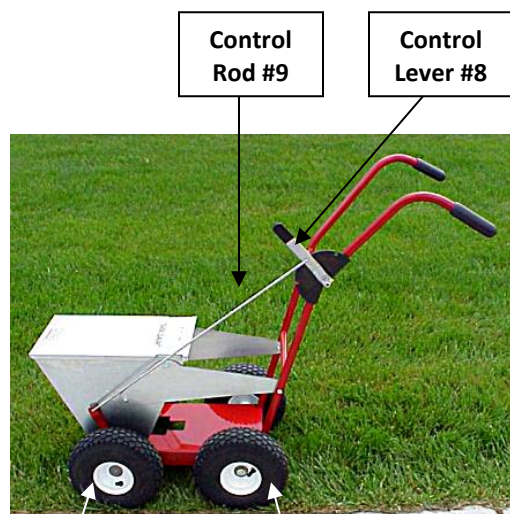
Tab end of handle supports goes on outside of handle on the 100 lb. (Washer against the support, see picture)



1700 Jasper St., Unit F, Aurora, CO 80011 T 800.624.6706 F 303.364.7796 • Newstripe.com  
50lb & 100lb Dry Line Markers / 1744-1745.1117

# NewLiner™HD 50lb & 100lb Heavy Duty 4 Wheel Dry Line Marker

<u>Item Number</u>	<u>Description</u>	<u>Part Number</u>
1	Drive Wheels (Front)	10004706
2	Wheels, Rear	10004705
3	Paddle	10001481
4	Axle Bushing	10001311
5	Notched Index Plate	10001887
6	Axle, Front 50lb HD	10002033
7	Axle, Front 100lb HD	10002034
8	Control Lever	10001902
9	Control Rod	10001488
10	Powder Gate, 50lb	10001477
10a	Powder Gate, 100lb	10001504

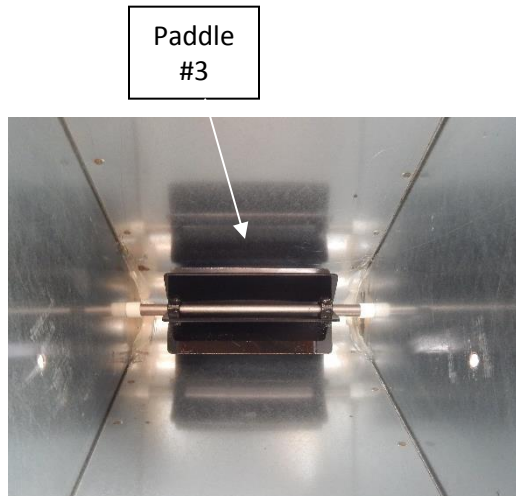


Control Rod #9

Control Lever #8

Drive Wheels, Front #1

Wheels, Rear #2



Paddle #3



1700 Jasper St., Unit F, Aurora, CO 80011 T 800.624.6706 F 303.364.7796 • Newstripe.com  
50lb & 100lb Dry Line Markers / 1744-1745.1117

# NewLiner™HD 50lb & 100lb Heavy Duty 4 Wheel Dry Line Marker

## THE NEWSTRIPE WARRANTY – 36 MONTH

NEWSTRIPE, INC., WARRANTS TO THE ORIGINAL PURCHASER, FOR 36 (THIRTY-SIX) MONTHS AFTER DATE OF PURCHASE, THAT THE EQUIPMENT\* HEREBY SOLD SHALL BE FREE OF DEFECTS IN MATERIALS AND WORKMANSHIP. THIS WARRANTY DOES NOT EXTEND TO ANY DAMAGE OR MALFUNCTION RESULTING FROM MISUSE, NEGLIGENCE, ACCIDENT, IMPROPER OPERATION, OR NORMAL WEAR AND TEAR.

Damage incurred in shipment from Newstripe, Inc. to the customer is the total responsibility of the carrier. The CUSTOMER MUST NOTE DAMAGES on the Bill of Lading of Trucking Company or Railroad; and Newstripe, Inc. will furnish to the customer the cost or parts and labor. The customer can then bill the common carrier for the damages by placing his signature on the documents.

The Newstripe, Inc. obligation under this warranty and any implied warranties is limited to replacement or repair of defective parts of its manufacture without charge for 36 (THIRTY-SIX) months from date of purchase. For service under this warranty, buyer shall ship the defective part or parts of the equipment, transportation prepaid, to Newstripe, Inc. together with a written description of any claimed defect and proof of purchase date of the materials being returned. **Prior to retuning any part or machine, the CUSTOMER must obtain a Return Materials Authorization number. Call 1-800-624-6706. To review the complete guidelines for warranty and returns, please visit [www.newstripe.com/guidlinesforwarrantyandreturn](http://www.newstripe.com/guidlinesforwarrantyandreturn).**

**\*Gasoline engines, compressors, pumps (including airless) and Transaxles are furnished with their respective manufacturer's warranties only. Such components are not covered by any warranty of Newstripe, Inc. Where Newstripe elects to extend manufacturers' warranties, the warranty shall be pro-rated as to cover 100% of the cost to replace or repair materials and parts for the first 12 months of ownership and 60% for the remaining 6 month period.**

The responsibilities described above are the only responsibilities of Newstripe, Inc. under this written warranty or any implied warranty, and may be exercised only within 36 (THIRTY-SIX) months from the date of purchase. In no event shall Newstripe, Inc. be liable for incidental or consequential damages and no person had any authority to bind it to any representation or warranty, not be responsible for work done, materials furnished or repairs made by others without its' specific written authorization.

THIS WARRANTY SHALL BE IN LIEU OF ANY AND ALL OTHER WARRANTIES, EXPRESSED OR IMPLIED, INCLUDING ANY WARRANTIES OF MERCHANTABILITY OR FITNESS FOR A PARTICULAR PURPOSE, AND THERE IS NO OTHER REPRESENTATION OR WARRANTY OF ANY KIND WITH RESPECT TO THE GOODS SOLD HEREBY EXCEPT AS SET FORTH HEREIN. IT IS EXPRESSLY AGREED THAT THIS WARRANTY SHALL BE LIMITED TO THE ADJUSTMENT, REPAIR OR REPLACEMENT OF PARTS AND THE LABOR AND SERVICES REQUIRED THEREBY. IN NO EVENT, INCLUDING ANY CLAIM FOR NEGLIGENCE, SHALL NEWSTRIPE, INC. BE LIABLE FOR INCIDENTAL OR CONSEQUENTIAL DAMAGES.

Sincerely,  
Newstripe, Inc



1700 Jasper St., Unit F, Aurora, CO 80011 T 800.624.6706 F 303.364.7796 • [Newstripe.com](http://Newstripe.com)  
50lb & 100lb Dry Line Markers / 1744-1745.1117